

FEATURED ALUM-A-LIFT FORMING TUBE ARTICULATING ARM LIFT

PROJECT 33258

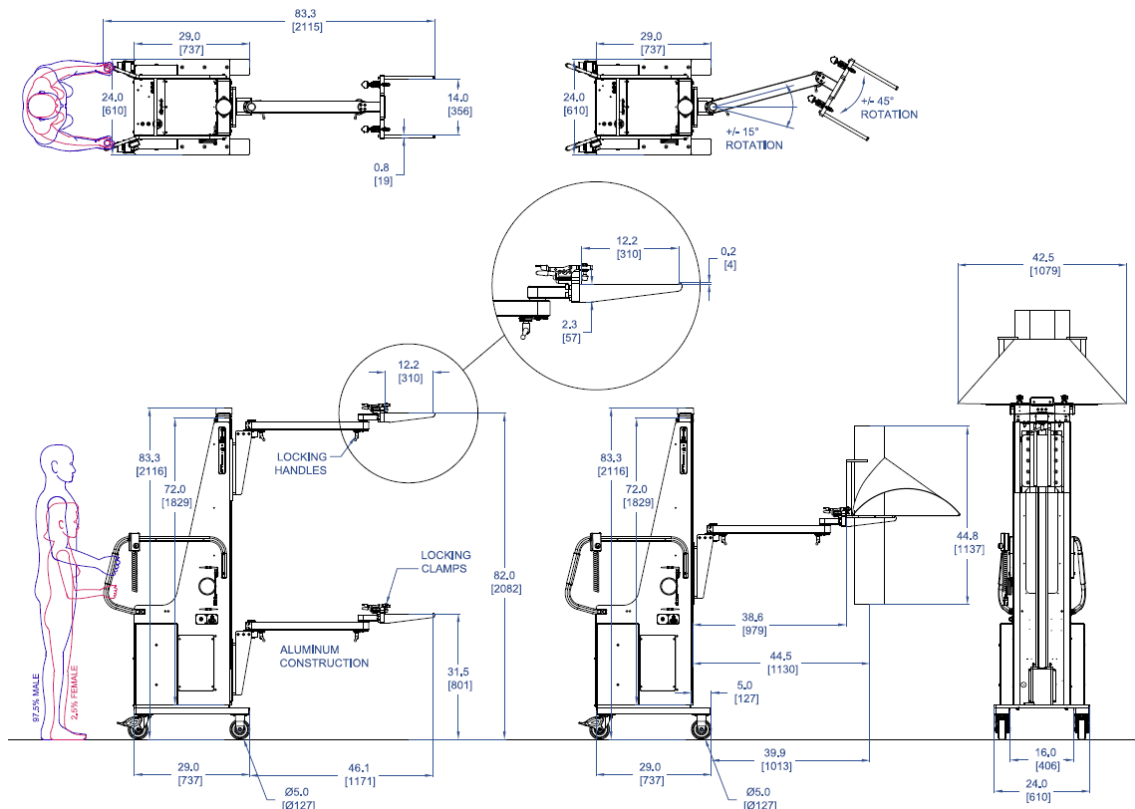


MODEL C800CS-72

FEATURING Counterbalanced Frame, Articulating Arm with Brakes, Dual Forks with Safety Lock Clamps

HANDLING 150 lb [68 kg] Forming Tubes

DETAILS Equipment used for packaging completed products into bags often contain a component called a forming tube for shaping, filling, and sealing the bags. Forming tubes are interchangeable for packaging in different size bags and products. They are also replaceable as they wear over thousands of cycles. This creates a hazardous lifting application since the forming tube is heavy, oddly shaped, and awkwardly positioned in the machine. This lift swings into position to keep operators from performing a heavy lift while on a step ladder, and reaching over a conveyor.



alum-a-lift

13941 Veterans Memorial Hwy
Winston, GA 30187 USA
+1 770 489 0328

GET STARTED AT ALUM-A-LIFT.COM